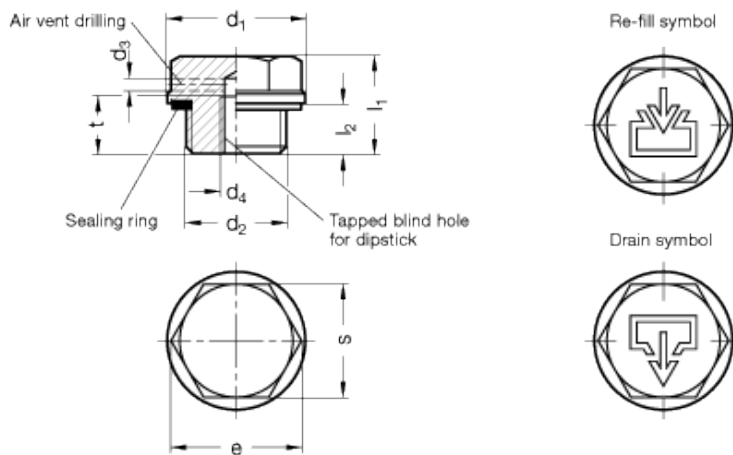


# GN 742

Plugs for application with high temperatures



## technical informations

### Material

Aluminium, fine turned finish.

- Version OS: plain.
- Version AS: plugs with laser engraved graphic symbol "drain", according to DIN regulations.
- Version ES: plugs with laser engraved graphic symbol "fill", according to DIN regulations.

### Flat packing ring

FPM (type VITON<sup>®</sup>, registered mark by DuPont Dow Elastomers). Identification by not black finish.

### Maximum continuous working temperature

180°C.

### Standard versions available

- Identification no. 1: without vent trilling.
- Identification no. 2: with vent trilling.

## Features and applications

GN 742 plugs are provided with a threaded blind hole for assembling a dipstick.

Standard Elements	Main dimensions									Weight
Description	d <sub>1</sub>	d <sub>2</sub>	d <sub>3</sub>	d <sub>4</sub>	l <sub>1</sub>	l <sub>2</sub>	t	s	e ≈	g
GN 742-19-M14x1.5-OS-*	19	M14x1.5	2	M5	15.5	8	8	15	17.3	7
GN 742-19-M14x1.5-ES-*	19	M14x1.5	2	M5	15.5	8	8	15	17.3	17
GN 742-19-M14x1.5-AS-*	19	M14x1.5	2	M5	15.5	8	8	15	17.3	7
GN 742-22-M16x1.5-OS-*	22	M16x1.5	2	M5	15.5	8	8	18	20.8	10
GN 742-22-M16x1.5-ES-*	22	M16x1.5	2	M5	15.5	8	8	18	20.8	10
GN 742-22-M16x1.5-AS-*	22	M16x1.5	2	M5	15.5	8	8	18	20.8	10
GN 742-26-M20x1.5-OS-*	26	M20x1.5	2	M5	16	8.5	8	21	24.3	15
GN 742-26-M20x1.5-ES-*	26	M20x1.5	2	M5	16	8.5	8	21	24.3	15
GN 742-26-M20x1.5-AS-*	26	M20x1.5	2	M5	16	8.5	8	21	24.3	15
GN 742-32-M26x1.5-OS-*	32	M26x1.5	2	M5	17	9	8	27	31.2	26
GN 742-32-M26x1.5-ES-*	32	M26x1.5	2	M5	17	9	8	27	31.2	26
GN 742-32-M26x1.5-AS-*	32	M26x1.5	2	M5	17	9	8	27	31.2	26
GN 742-32-M27x1.5-OS-*	32	M27x1.5	2	M5	17	9	8	27	31.2	26
GN 742-32-M27x1.5-ES-*	32	M27x1.5	2	M5	17	9	8	27	31.2	26
GN 742-32-M27x1.5-AS-*	32	M27x1.5	2	M5	17	9	8	27	31.2	26
GN 742-40-M33x1.5-OS-*	40	M33x1.5	2	M5	19.5	11	8	32	37	47
GN 742-40-M33x1.5-ES-*	40	M33x1.5	2	M5	19.5	11	8	32	37	47
GN 742-40-M33x1.5-AS-*	40	M33x1.5	2	M5	19.5	11	8	32	37	47
GN 742-50-M40x1.5-OS-*	50	M40x1.5	2	M5	21	12	8	41	47.3	80
GN 742-50-M40x1.5-ES-*	50	M40x1.5	2	M5	21	12	8	41	47.3	80
GN 742-50-M40x1.5-AS-*	50	M40x1.5	2	M5	21	12	8	41	47.3	80
GN 742-50-M42x1.5-OS-*	50	M42x1.5	2	M5	21	12	8	41	47.3	80
GN 742-50-M42x1.5-ES-*	50	M42x1.5	2	M5	21	12	8	41	47.3	80
GN 742-50-M42x1.5-AS-*	50	M42x1.5	2	M5	21	12	8	41	47.3	80
GN 742-50-M42x2-OS-*	50	M42x2	2	M5	21	12	8	41	47.3	80
GN 742-50-M42x2-ES-*	50	M42x2	2	M5	21	12	8	41	47.3	80
GN 742-50-M42x2-AS-*	50	M42x2	2	M5	21	12	8	41	47.3	80
GN 742-19-G1/4-OS-*	19	G1/4	2	M5	15.5	8	8	15	17.3	7
GN 742-19-G1/4-ES-*	19	G1/4	2	M5	15.5	8	8	15	17.3	7
GN 742-19-G1/4-AS-*	19	G1/4	2	M5	15.5	8	8	15	17.3	7
GN 742-22-G3/8-OS-*	22	G3/8	2	M5	15.5	8	8	18	20.8	10
GN 742-22-G3/8-ES-*	22	G3/8	2	M5	15.5	8	8	18	20.8	10
GN 742-22-G3/8-AS-*	22	G3/8	2	M5	15.5	8	8	18	20.8	10
GN 742-26-G1/2-OS-*	26	G1/2	2	M5	16	8.5	8	21	24.3	15
GN 742-26-G1/2-ES-*	26	G1/2	2	M5	16	8.5	8	21	24.3	15
GN 742-26-G1/2-AS-*	26	G1/2	2	M5	16	8.5	8	21	24.3	15
GN 742-32-G3/4-OS-*	32	G3/4	2	M5	17	9	8	27	31.2	26
GN 742-32-G3/4-ES-*	32	G3/4	2	M5	17	9	8	27	31.2	26
GN 742-32-G3/4-AS-*	32	G3/4	2	M5	17	9	8	27	31.2	26

GN 742-40-G1-OS-*	40	G1	2	M5	19.5	11	8	32	37	47
GN 742-40-G1-ES-*	40	G1	2	M5	19.5	11	8	32	37	47
GN 742-40-G1-AS-*	40	G1	2	M5	19.5	11	8	32	37	47
GN 742-50-G1 1/4-OS-*	50	G1 1/4	2	M5	21	12	8	41	47.3	80
GN 742-50-G1 1/4-ES-*	50	G1 1/4	2	M5	21	12	8	41	47.3	80
GN 742-50-G1 1/4-AS-*	50	G1 1/4	2	M5	21	12	8	41	47.3	80
GN 742-60-G1 1/2-OS-*	60	G1 1/2	2	M5	22	13	8	50	57.7	120
GN 742-60-G1 1/2-ES-*	60	G1 1/2	2	M5	22	13	8	50	57.7	120
GN 742-60-G1 1/2-AS-*	60	G1 1/2	2	M5	22	13	8	50	57.7	120

\*Complete the description of the standard item needed by adding 1 (without vent drilling) or 2 (with vent drilling).

---



ELESA and GANTER models all rights reserved in accordance with the law. Always mention the source when reproducing our drawings.

**STANDARD MACHINE ELEMENTS WORLDWIDE**